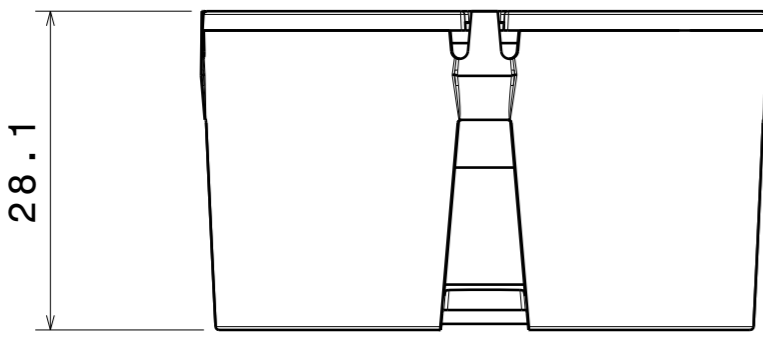
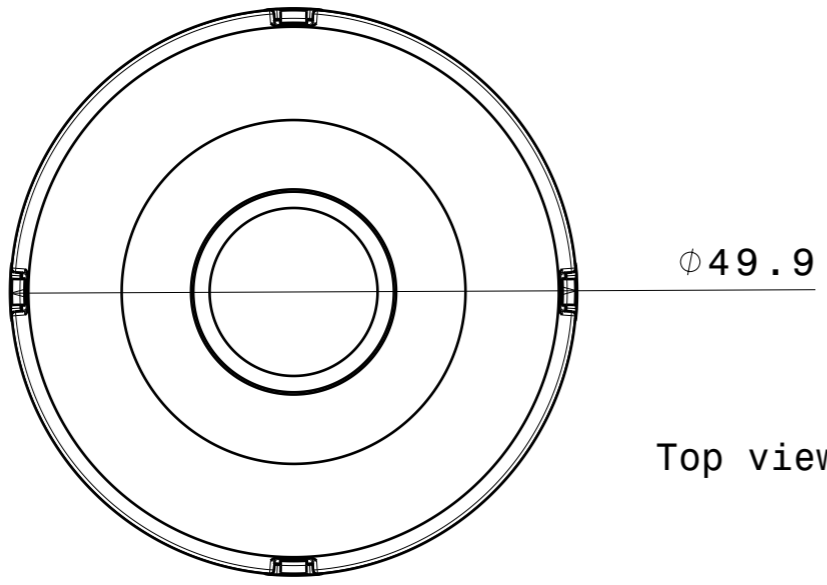


Bottom view

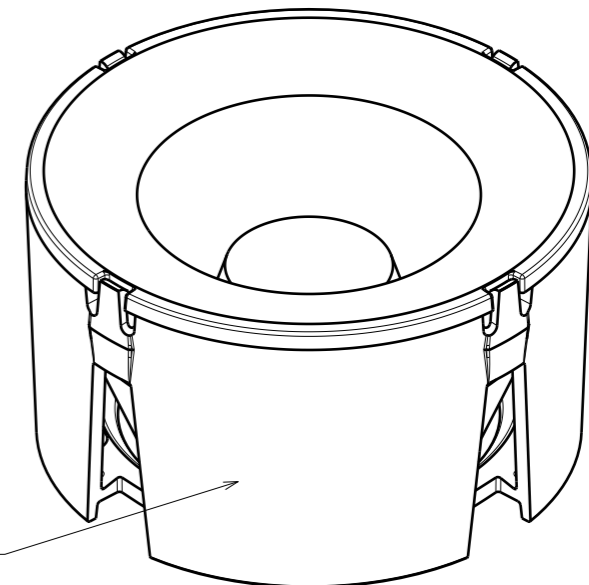


Front view



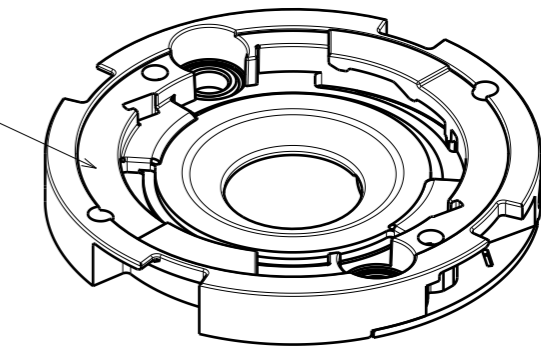
Top view

Example assembly:

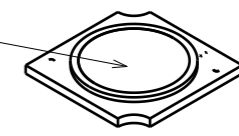


CP17401\_YASMEEN-50-M-C

HEKLA socket



LED



Isometric view

CP17401\_YASMEEN-50-M-C  
**COMPONENTS**

INDEX	PART	TYPE	MATERIAL	COLOR / COATING
1	C17397_YASMEEN-50-HLD-C	HOLDER	PC	black
2	C17235_YASMEEN-50-M	LENS	PMMA	CLEAR

<b>MECHANICAL DRAWING</b>	
PRODUCT	<b>YASMEEN</b>
Plastic moulding general tolerances according to DIN 16901-130 and applies if not otherwise shown in the drawing. Silicone moulding general tolerances according to ISO 3302-1 Class M3 and applies if not otherwise shown in the drawing.	FIRST ANGLE PROJECTION: 
SCALE 3:2	WEIGHT 32.639 g

**LEDiL**<sup>®</sup>

This drawing is the property of LEDiL Oy. It may not be copied or otherwise distributed without prior written permission from LEDiL Oy.

A3 SHEET 1/1

**Notes**

	PCB or heatsink level.
	LED location
	Ensure LED fitting from a product specific 3D model available from <a href="http://www.ledil.com">www.ledil.com</a>
	For more details about installation please see LEDiL Installation Guide on <a href="http://www.ledil.com">www.ledil.com</a>